

**NETWORK CONNECTED POS SCREEN
DIAGONAL 10"**

P10KDTAB02NS

**PRODUCT SPECIFICATION**

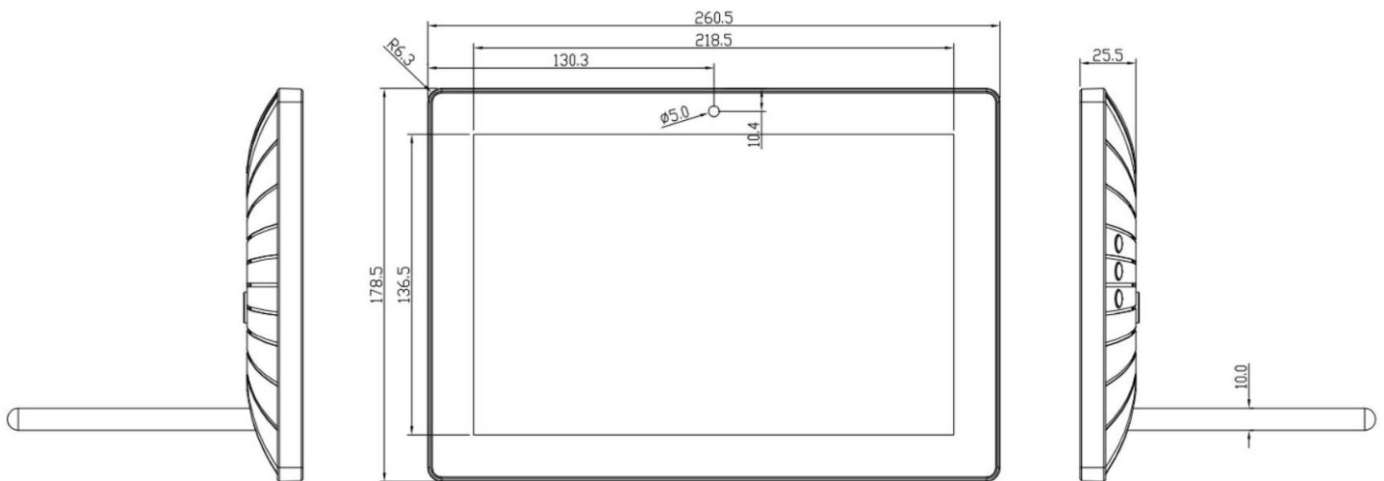
CPU	Rockchip RK3288, quad-core Cortex-A17, GPU Mail-T764
Frequency	2.2 GHz
RAM	DDR3 2G default/4G (upgradable)
Internal Storage	EMMC 8GB default/16G or 32G (upgradable), supports NAND FLASH.
Resolution/Aspect Ratio	1280x800/16:9
Viewing Angle	80/80/80/80
Network Support	With RJ45 port, supports 10/100/1000M Ethernet. Built-in Wifi & BT module, supports Wi-Fi 802.11b/g/n (ac upgradable), BT4.0.
Clock	Built-in battery power supply.
User Interface	USB2.0 Host x2 TF card, supports up to 32GB HDMI 2.0 input.
Hardware Keys	3 Buttons (Power/ Vol-/Vol+)
Stereo Speaker	1Wx2
Brightness	250nits
Contrast	500
Lifetime	20000hrs
Audio	MP3,WMA,WAV, APE, FLAC, AAC, OGG,M4A,3GPP
Video	H.264, MPEG2, VP6, VP8, MVC 2160P@24FPS. YouTube online video play, up to 1080P, HTML5, Flash10.1.
Picture	Supports PNG,BMP,JPG
Power Adapter	Input: AC100-240V.50-60HZ Output: DC5V 2A.
Operation System	Google Android 6.0
Language	Multiple languages.

NETWORK CONNECTED POS SCREEN DIAGONAL 10"

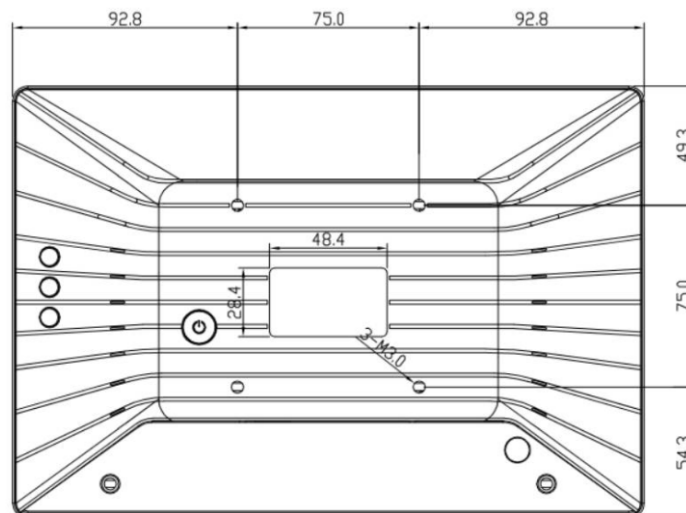
P10KDTAB02NS

System Management	Supports OTA remote upgrade, disk upgrade
	Open root privileges
	Customizable local or remote server management system.
	Supports multiple serial devices, USB devices, IO control devices
Wall Mount	VESA75
Weight	475g
Operation Condition	0~40
Storage Condition	-20~55

Dimension:



Front/Side View



Back View