

J-PLUG SPLITTER 2

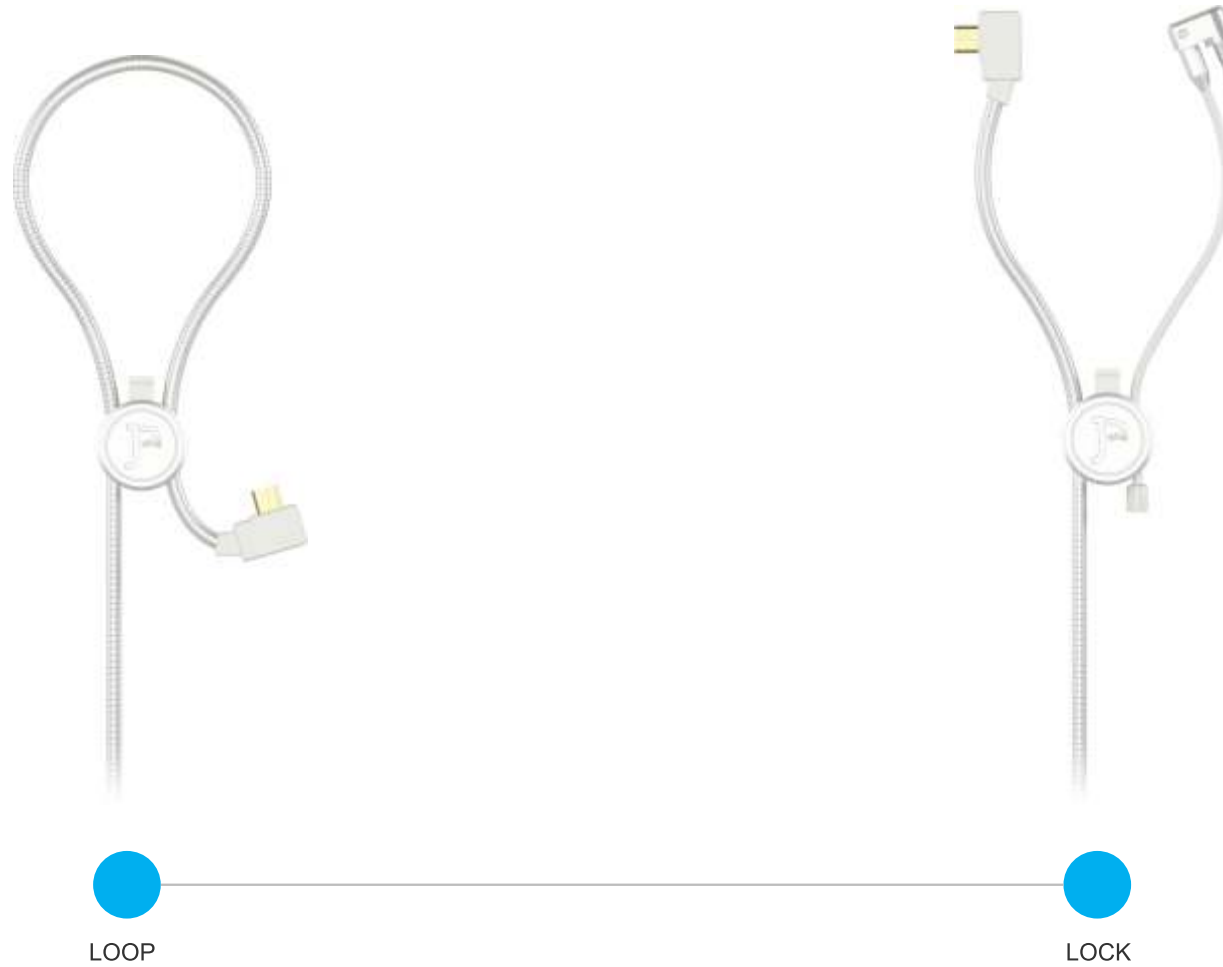
One solution for headphones, tablets, ultrabooks and convertibles



design | friends

VERSATILE

J-Plug Splitter 2 is a 2-in-1 solution. At the center is our new unique multi-purpose pendant. Simply by altering the attachments and layout of the cable, the Splitter 2 can easily be transformed.



design | friends



1 METER CABLE

The 1 meter cable allows a good range, providing a full product experience.
Customers can pick up and play without the feeling of security.

design | friends

FREE-FORM

Splitter 2 does not conform to traditional security attachments. The split design allows creativity and flexibility. A perfect solution for curved form factors such as speakers.



design | friends

SPLIT PROTECTION

Splitter 2 can provide multi-product protection.
A perfect solution to demo wireless charging.



design | friends

LONGEVITY

The Splitter 2's cable is armoured to enhance its strength and visual deterrence. The new steel armour is designed to reduce dirt build up associated with the retail environment.



MULTI-CONNECTORS

Plug-in Splitter 2 to alarm and charge any 5v device. Available in Lightning, Micro USB, Type-C, USB-A and Tamper.



design | friends

SPLITTER PUCK

Splitter 2 has built in high speed charging, optional backup battery and new key. The 100db siren has been re-engineered to maximise air displacement and project room filling sound. While each quartile is illuminated by a single LED to easily identify the alarm's status.



design | friends

ONE SOLUTION TO STOCK, TRAIN AND FIT

Simple to install and operate. Easy for staff to re-merchandise, arm and dis-arm.



HEADPHONES



TABLETS



CONVERTIBLES



VIRTUAL REALITY



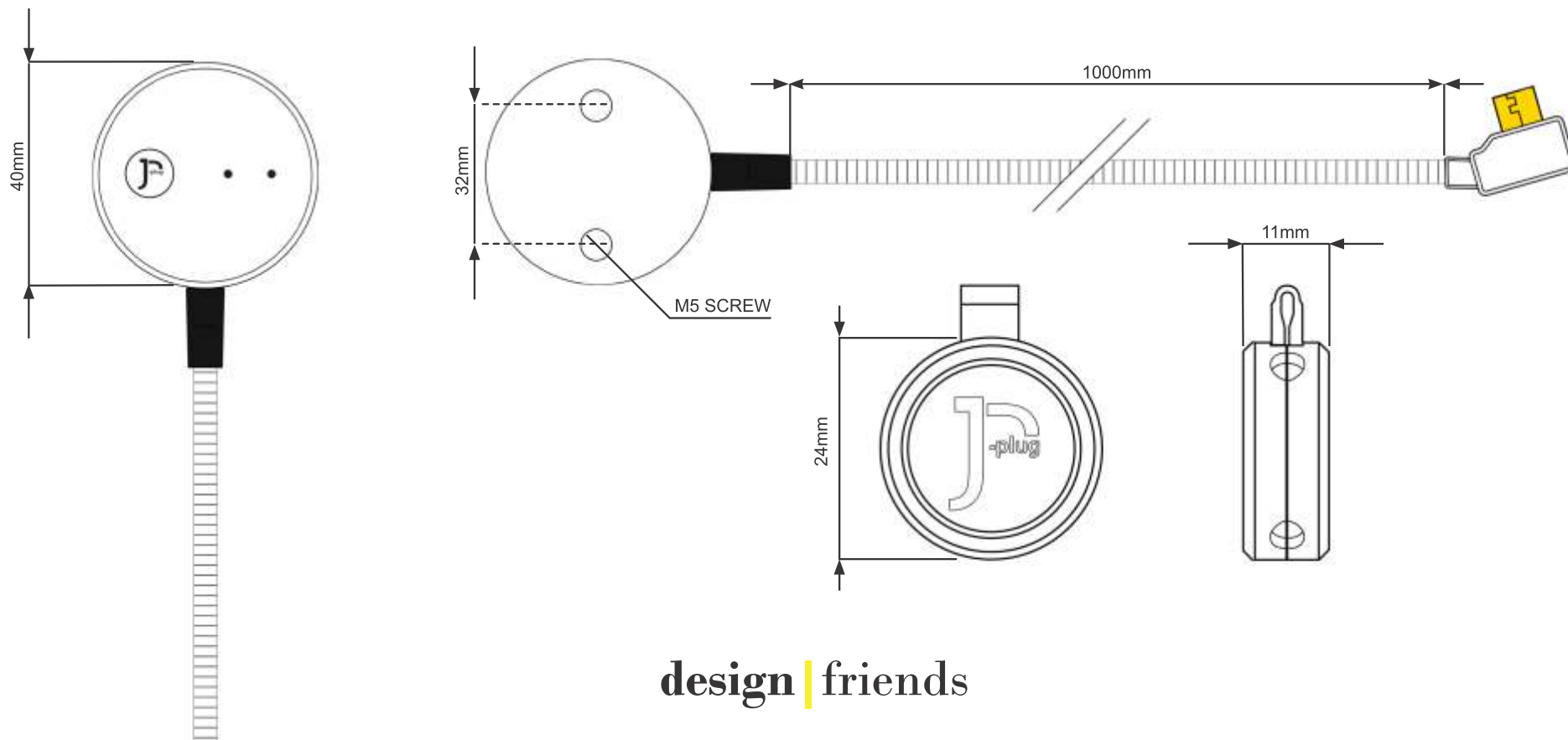
POWER TOOLS

design | friends

PRODUCT	WIDTH	HEIGHT	LENGTH
	40mm	16mm	1000mm

PACKAGING	WIDTH	HEIGHT	DEPTH
	90mm	60mm	90mm

CHARGING SPECIFICATION	
Cable Type	Amps
Standard	Up to 0.5
Boost	Up to 1.0



design | friends

design | friends

www.designfriends.ro