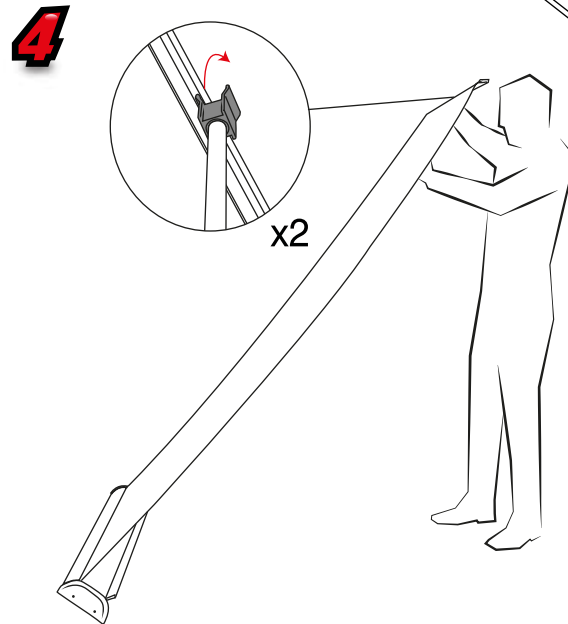
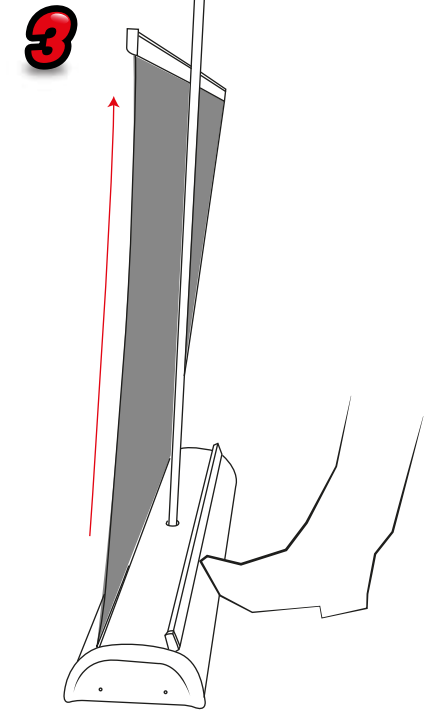
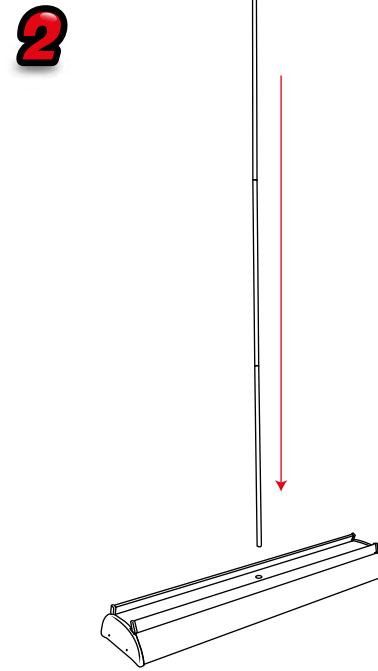
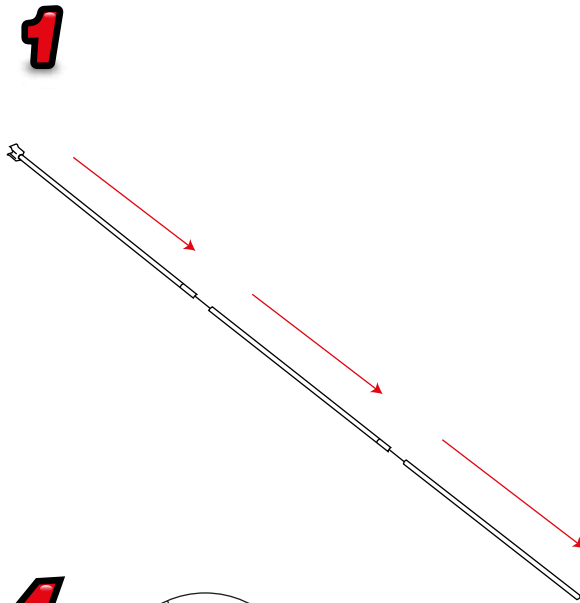


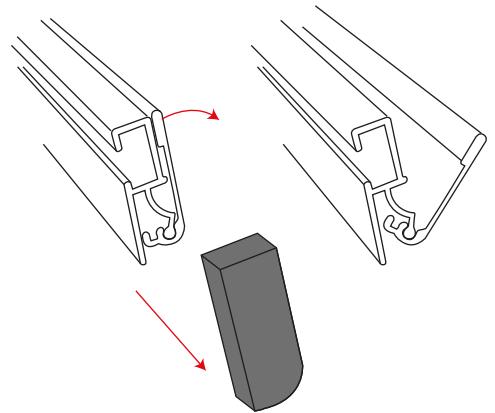
# Edge 2



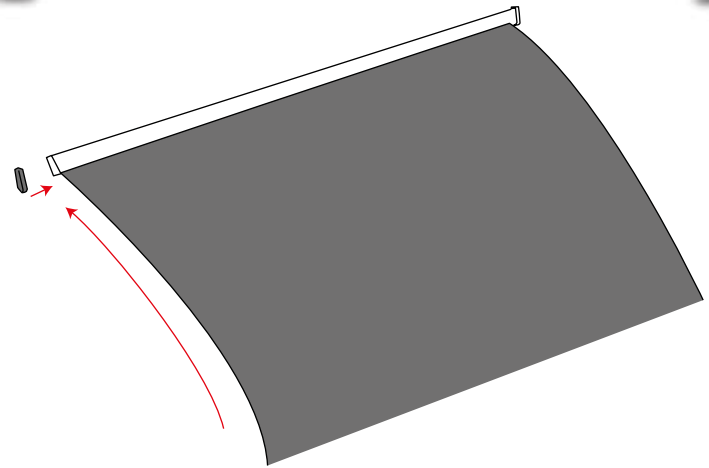
# Edge 2

## Attaching Graphic

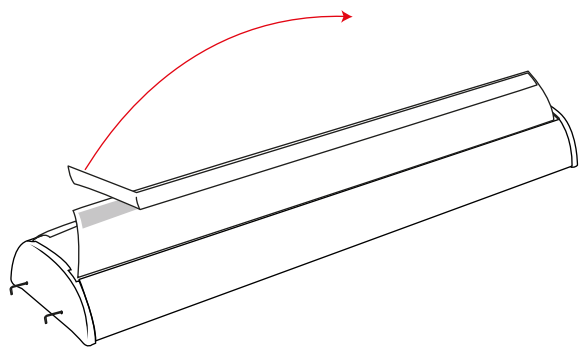
**1**



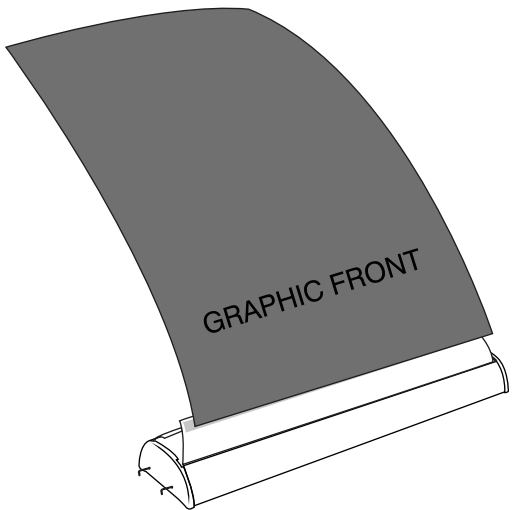
**2**



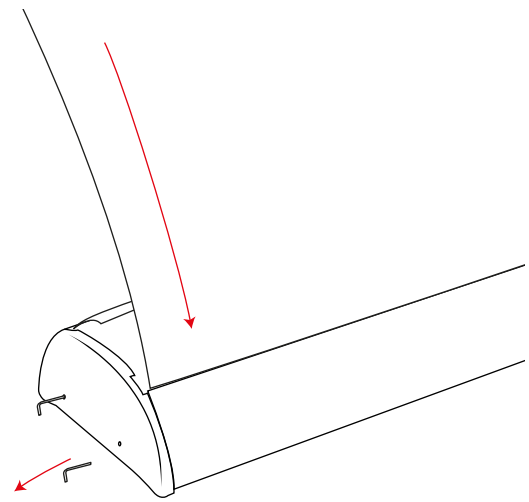
**3**



**4**



**5**



\*Repeat steps 1-5 for reverse.